



Big Dutchman®



EUROVENT Parents

The modern manure belt system for layer breeders

EUROVENT Parents – the ventilated manure belt system for the production of hatching eggs

EUROVENT Parents is a manure belt system for layer breeders designed by Big Dutchman for the production of hatching eggs.

Compartments are 1250 mm wide and have a standard length of 2412 mm. They can, however, be extended in steps of 60 cm so that the flock size can be determined individually. A reinforced

perch is positioned in the centre of the compartments. The male breeders especially like to use this perch. Closed partitions promote calmness and quiet within the flock by ensuring that males in different groups remain separated. All wire meshes used for bottom wires and cage fronts are zinc-aluminium coated. This special alloy resists corrosion and

rust more effectively than other materials, thus guaranteeing a longer service life. EUROVENT Parents is available with or without air duct.

The system allows for a high stocking density, has minimum labour requirements and ensures clean hatching eggs.

Technical details of EUROVENT Parents include:

1 Feed supply

The Big Dutchman chain feeding system has proven to be a highly reliable and cost-effective feeding system. The CHAMPION feed chain transports the feed to the birds evenly and without separating it.

- direct actuation of the feed chain
- low maintenance requirements
- internal “cascade” design of the completely galvanized feed column prevents feed bridging
- feed column has no feet, takes up only minimal amounts of space and is easy to clean

The deep trough prevents feed wastage.

2 Cage front

The entire cage front consists of sliding grids that can be opened completely and therefore allow for easy moving in and out of the birds. The male grids, consisting of vertical rods, ensure optimum feed intake of the males and prevent injuries to the comb. The arrangement of both types of grids can be adapted to suit any need.

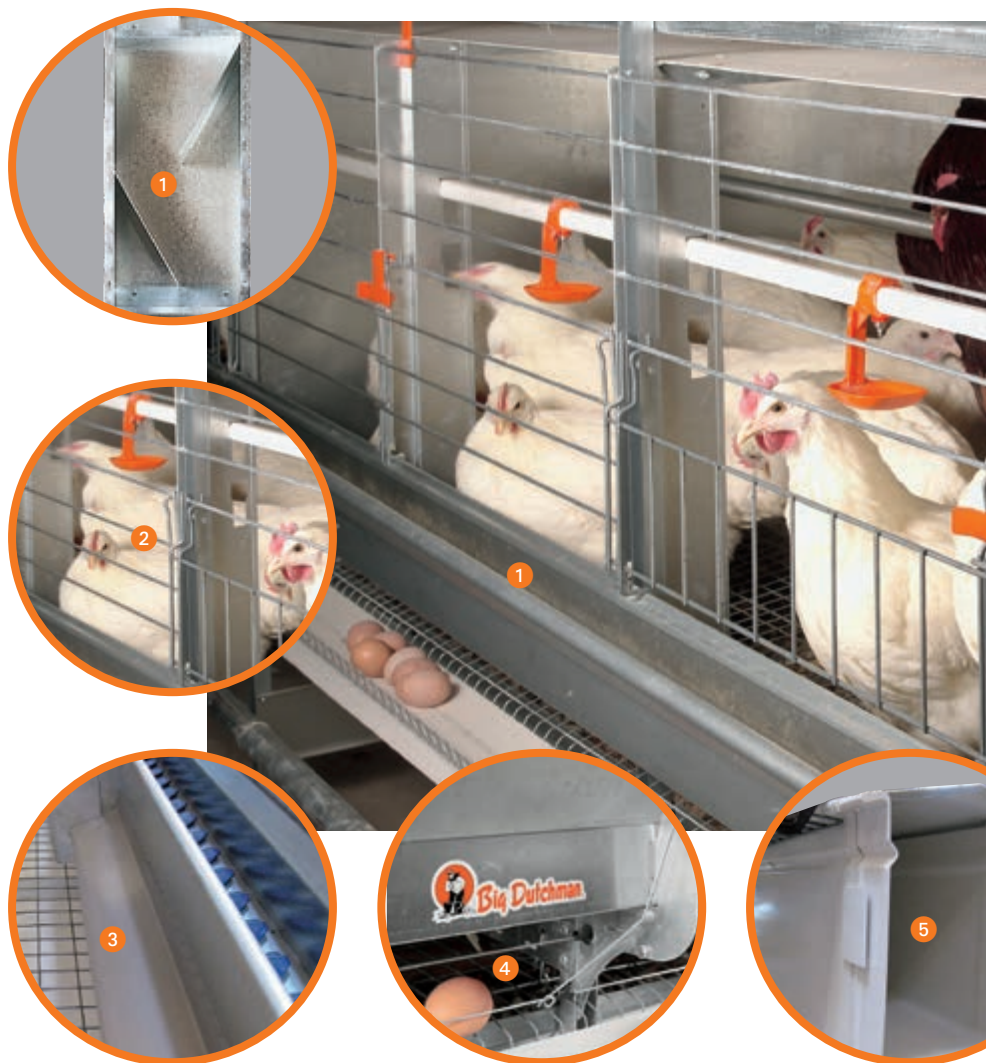
3 Footrail

The flat-surfaced footrail made of stainless steel encourages hens to lay their eggs close to the trough. This means short rolling-off distances and thus increased egg quality. Furthermore, the footrail prevents manure from dropping into the cage below and protects the eggs from being eaten by the birds.

4 EggSaver

The EggSaver ensures that eggs roll off safely onto the longitudinal belt. A thin wire is installed in front of the longitudinal egg belt for this purpose. This wire is raised and lowered at certain intervals during the

laying period. An additional advantage of the EggSaver is that the freshly laid, still moist eggs can dry off before they roll onto the egg belt, thus minimizing the amount of dust and feathers sticking to the eggs.





Advantages

- ✓ optimum number of birds
- ✓ healthy and vigorous males and females
- ✓ clean hatching eggs
- ✓ low salmonella risk
- ✓ uniform high laying performance
- ✓ good feed conversion
- ✓ low mortality rate
- ✓ high efficiency thanks to a high degree of automation (feed and water supply, egg collection, manure removal)
- ✓ low labour and control requirements
- ✓ very low ammonia emissions
- ✓ hardly any flies in the system
- ✓ in case of manure belt ventilation: dry manure, with a dry matter content of up to 60 percent, which can be conveniently stored and spread



6 Water supply

The nipple drinkers at the sides of each compartment provide the birds with clean and fresh drinking water. They can be installed at different heights for males and females. Nipples are made of stainless steel. Drip water cups collect splash water to prevent corrosion and to keep the manure dry.

7 Bottom wire

The bottom wire is placed on tension wires which are tensioned across the entire length of the system. This provides for good flexibility and therefore minimizes the share of cracked and hairline-cracked eggs. The bottom wire grille itself has different mesh sizes: In the centre, the mesh width is 1 x 1" to improve the bird's stability and thus their fertility rates. In the trough area, the mesh width is 1x1.5" so that eggs roll off more safely onto the longitudinal belt.

8 Perch

The rugged perch in the centre of the compartment is well accepted by both males and females. As an option, we offer a second perch at a raised position that the birds mainly use at night.

5 Air duct and manure belt

Manure belts beneath the bottom wire collect the manure, which can remain there for up to seven days. Fresh or circulating air from the air duct installed directly above

the manure belt efficiently dries the manure and reduces the ammonia load of the house air.

Production data from practical experience

70th week of life

Laying performance per hen housed*	290-300
Hatching eggs per hen housed	260-270
Average hatching performance (%)	78-80
Female chicks per hen housed	95-100
Mortality rate to week 70 (%)	6-8

* Brown egg breeders

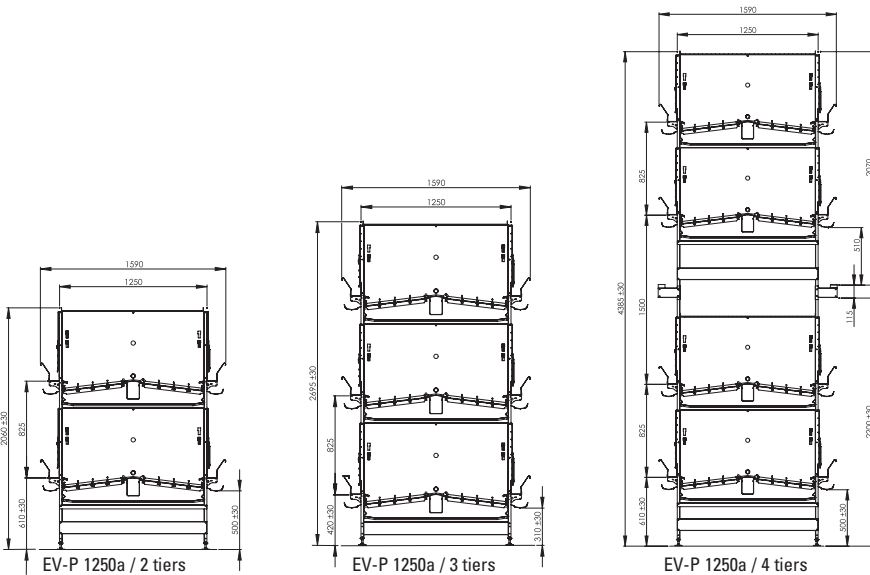
Technical data and planning instructions EUROVENT Parents

Compartment dimensions

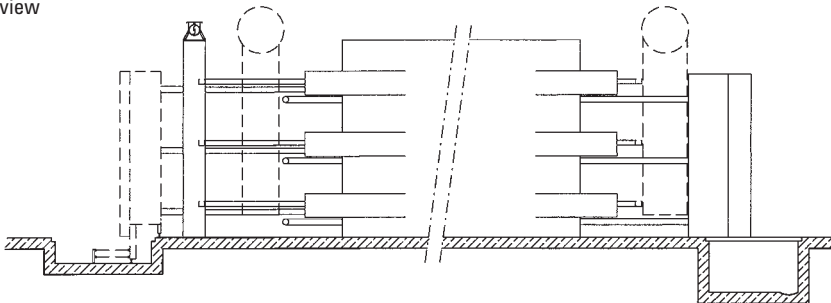
System type		EV-P 1250	EV-P 1250a
Length	mm	603/1206/1809/2412/3015/3618/4221/4824 (variable in steps of 603 mm)	
Width (from trough to trough)	mm	1250	1250
Height (centre)	mm	605	605
Height (outside)	mm	680	680
Recommended area/bird	cm ²	> 600	> 600

Section dimensions

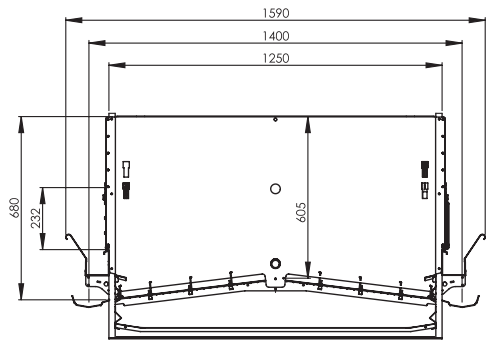
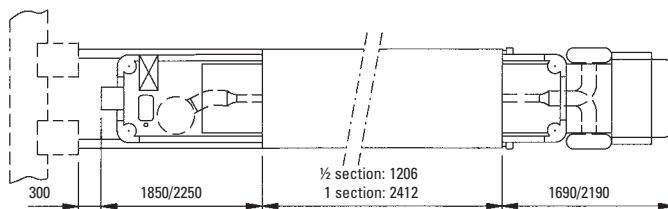
		EV-P 1250	EV-P 1250a
Length	mm	2412	2412
Width	mm	1590	1590
Height (2 tiers)	mm	2060	2060
(3 tiers)	mm	2695	2695
(4 tiers)	mm	4385	4385



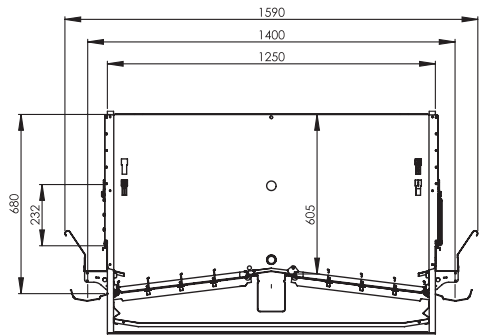
Side view



Top view



Cross section of EV-P 1250 compartment (without air duct)



Cross section of EV-P 1250a compartment (with air duct)

EUROVENT Parents is the most important component in a house for layer breeders. Egg collection systems, the house climate and manure storage, however, must also be considered.

Let our experts advise you in detail on all the options Big Dutchman can offer you for successful layer breeder management.



Big Dutchman

Europe, Middle East & Africa:
Big Dutchman International GmbH
 P.O. Box 1163 · 49360 Vechta, Germany
 Tel. +49(0)4447 801-0 · Fax -237
 big@bigdutchman.de
 www.bigdutchman.de

USA: Big Dutchman, Inc.

Tel. +1 616 392 5981 · bigd@bigdutchmanusa.com
 www.bigdutchmanusa.com

Brazil: Big Dutchman (Brasil) Ltda.

Tel. +55 16 2108 5300 · bdb@bigdutchman.com.br
 www.bigdutchman.com.br

Russia: 000 "Big Dutchman"

Tel. +7 495 2295 161 · big@bigdutchman.ru · www.bigdutchman.ru

Asia/Pacific: BD Agriculture (Malaysia) Sdn. Bhd.

Tel. +60 3 33 61 5555 · bdasia@bigdutchman.com · www.bigdutchman.com

China: Big Dutchman (Tianjin) Livestock Equipment Co., Ltd.

Tel. +86 10 6476 1888 · bdcnsales@bigdutchman.com
 www.bigdutchman.cn